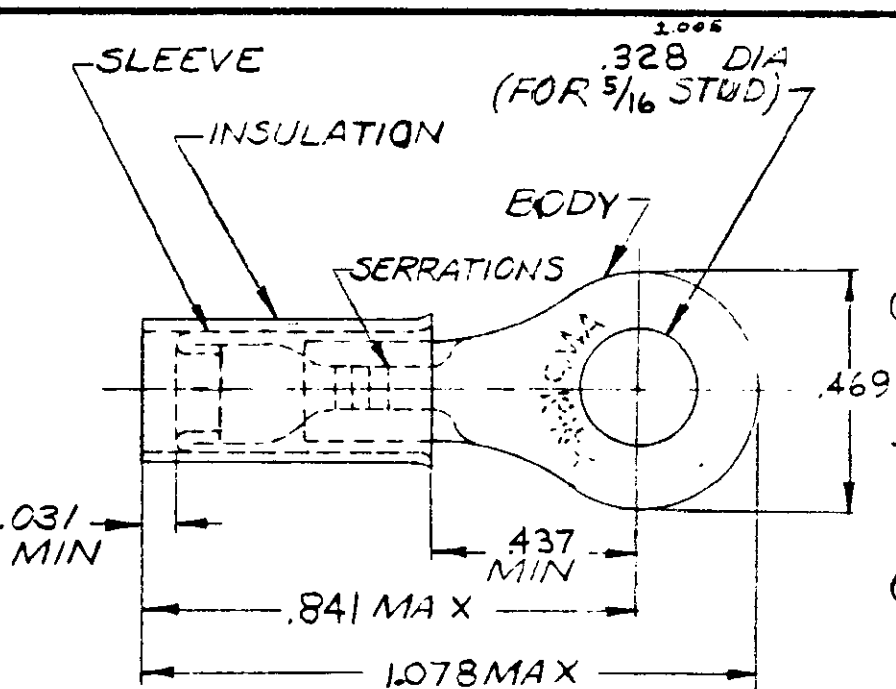
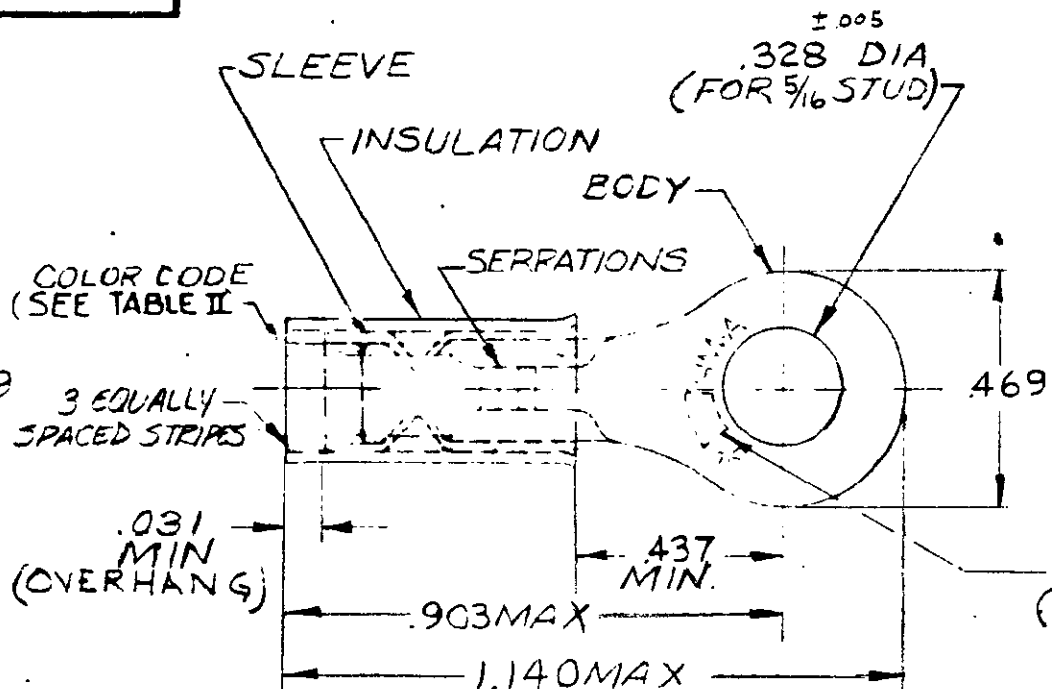


© 1951 BY AMP INCORPORATED. ALL RIGHTS RESERVED. AMP PRODUCTS COVERED BY PATENTS AND/OR PATENTS PENDING.



TONGUE MATERIAL THK. = .031
FOR .105 TO .150 WIRE INS. DIA
STYLE "A"



TONGUE MATERIAL THK. = .031
FOR "C"/"D" WIRE INS. DIA.
STYLE "B"

ZONE	LTR	DESCRIPTION	DATE	APPROVED
	R	REV/0720-0496-95	10-2-69	ME
	D	REV COLOR CODE P6158	9-11-69	FCY
	E	REVISED PC-5569	12-18-69	FCY
	F	REVISED B-630	1-5-70	FCY
	G	ADDED TAPE NUMBERS	10-28-70	FCY
	H	ADDED .062 MIN COIL BAND - G-322	5-3-76	Q 5-3-76
	J	REV PER P2-8820	12-24-80	17
	K	INACTIVATED 2--4, 2--5 PINS	2-7-81	19
	L	REV PER G-1515	10-23-85	Pym
	M	OBS. 2--4 REV G2588	10-4-87	PrF
	N	OBS 2--5 REV G2616	3/15/89	17
	P	REV/0720-0060-93	4-2-93	1-57 ME

STAMPING
(SEE TABLE II)

TABLE I

QTY	DESCRIPTION	PART NO.	MATERIAL & FINISH
1	WIRE TERMINAL INSULATING RESTRICTING	2-320575-3	BODY: COPPER (QQ-C-576) TIN PL (MIL-T-10727)
		2-320575-2	SLEEVE: COPPER (QQ-C-576) TIN PLATE (MIL-T-10727)
100	LOOSE PC BOX	8-320575-1	INSULATION: NYLON (MIL-M-20693) TYPE I. COLOR: BLUE
1	WIRE TERMINAL	320575	BODY & SLEEVE: COPPER (QQ-C-576) TIN PL (MIL-T-10727) INSULATION: NYLON (MIL-M-20693) TYPE I. COLOR: BLUE

OBSOLETE 2--4, 2--5
TABLE II

PART NO.	PART NO. ON TAPE	COLOR CODE	WIRE STAMPING	C	D	WIRE SIZE	STYLE
8-320575-1				AS SHOWN		16-14	"A"
2-320575-3	2-320575-3	GREEN		14	.078	.130	14
2-320575-2	2-320575-2	BLUE		16	.063	.130	16
320575	2-320575-1			AS SHOWN		16-14	"A"

UNLESS OTHERWISE SPECIFIED DIMENSIONS ARE IN INCHES. TOLERANCES ON DECIMALS: .005 ANGLES: 5°

CONTRACT NO. #

DR. *Steve Kant* 9-3-69

CHK. *P.C. Yonker* 9-5-69

APPR. *W. Abel* 9-5-69

REV. *Am. Eng.* 9-17-69

OSCN APPR.

OTHER APPR.

AMP AMP INCORPORATED
HARRISBURG, PENNSYLVANIA

WIRE TERMINAL
PIDG. - RING TONGUE

SIZE: 00779

SCALE: NTS

SHEET: 1 OF 1

SEE TABLE I